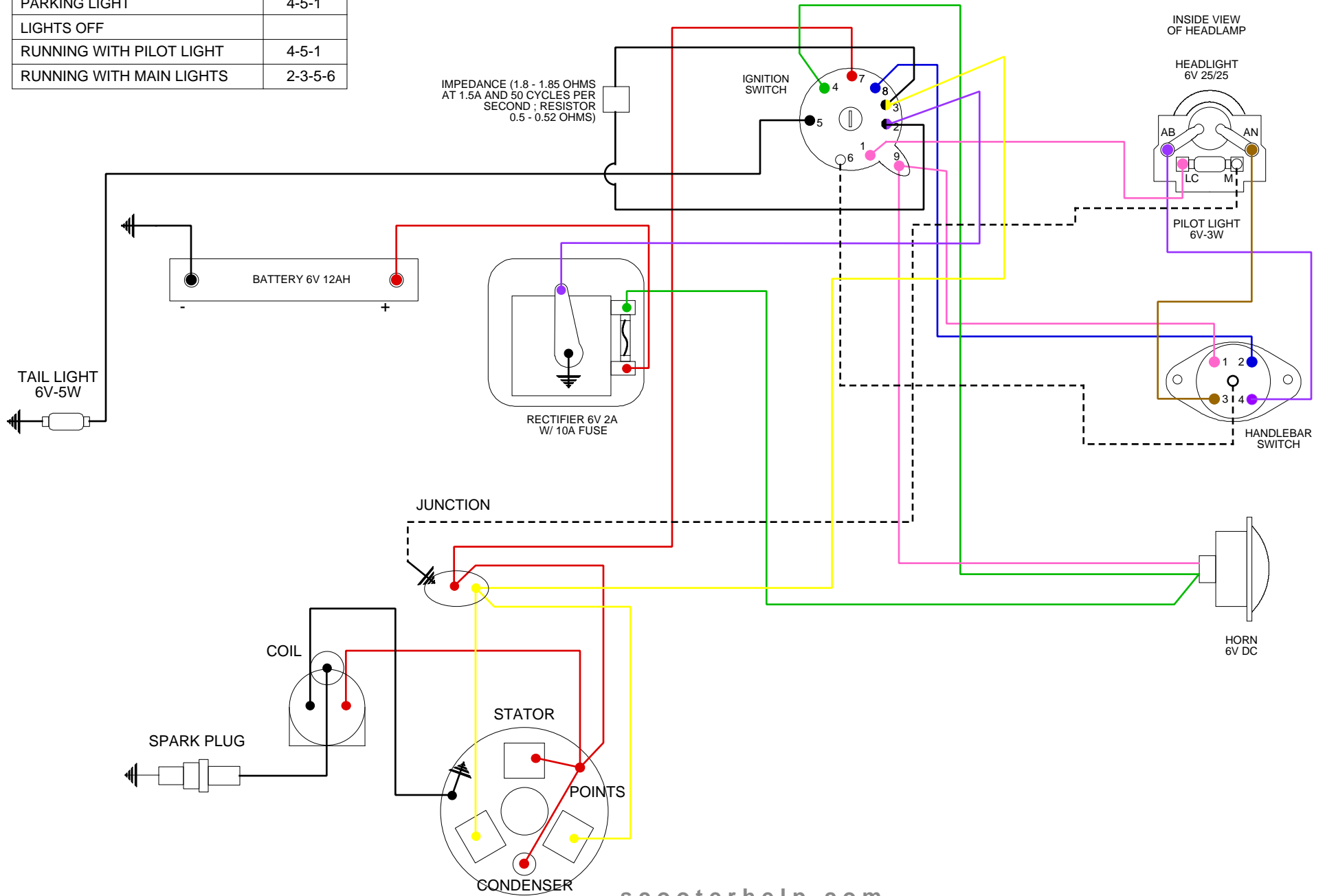


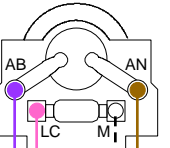
SWITCH POSITIONS	
PARKING LIGHT	4-5-1
LIGHTS OFF	
RUNNING WITH PILOT LIGHT	4-5-1
RUNNING WITH MAIN LIGHTS	2-3-5-6



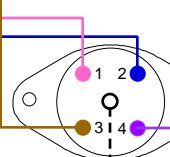
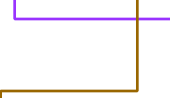
IMPEDANCE (1.8 - 1.85 OHMS AT 1.5A AND 50 CYCLES PER SECOND ; RESISTOR 0.5 - 0.52 OHMS)

INSIDE VIEW OF HEADLAMP

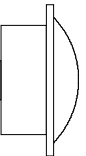
HEADLIGHT 6V 25/25



PILOT LIGHT 6V-3W



HANDLEBAR SWITCH



HORN 6V DC

scooterhelp.com

VESPA GS 150(VS1T)

----- WHITE